

NH KNIFE-BLADE

FUSE LINKS & FUSE BASES



gG

NH 500V

fuse links



PROTECTING THE WORLD



RATED VOLTAGE
500V

RATED CURRENT
6A...250A

BREAKING CAPACITY
120kA

STANDARDS
IEC/EN 60269-1
IEC/EN 60269-2



Knife type NH gG 500V fuse links with top indicator

These high breaking capacity fuse-links are intended for protection of power lines and equipment, against overloads and short-circuits with rated voltages up to 500V AC (+10%).

The rated breaking capacity is 120 kA.

Compact versions in low rated currents of every size.

The range comprises the following fuse links:

- Size NH0 gG 500V 6A to 160A
- Size NH0S gG 500V 200A to 250A
- Size NH0S with striker gG 500V 32A to 200A

Manufactured with ceramic body with high withstand to internal pressure and thermal shock, that allows a high breaking capacity. Knife contacts are made of silver plated copper or brass.

They are manufactured according to IEC/EN60269 Standards and comply with RoHS directive.



Range

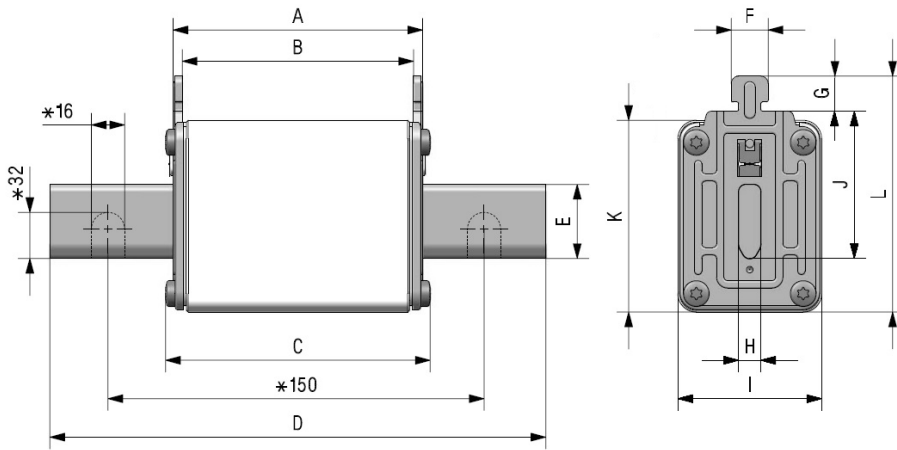
	I_n (A)	REFERENCE	PACKING Uni /BOX
NH0	6	381110	3/42
	10	381115	3/42
	16	381120	3/42
	20	381125	3/42
	25	381130	3/42
	32	381135	3/42
	35	381140	3/42
	40	381145	3/42
	50	381150	3/42
	63	381155	3/42
	80	381160	3/42
	100	381165	3/42
	125	381170	3/42
160	381175	3/42	

	I_n (A)	REFERENCE	PACKING Uni /BOX
NH0S	200	381180	3/30
	224	381185	3/30
	250	381190	3/30
NH0S WITH STRIKER	32	395135	3/30
	35	395140	3/30
	40	395145	3/30
	50	395150	3/30
	63	395155	3/30
	80	395160	3/30
	100	395165	3/30
	125	395170	3/30
	160	395175	3/30
	200*	395180	3/30

* Overrating fuse links



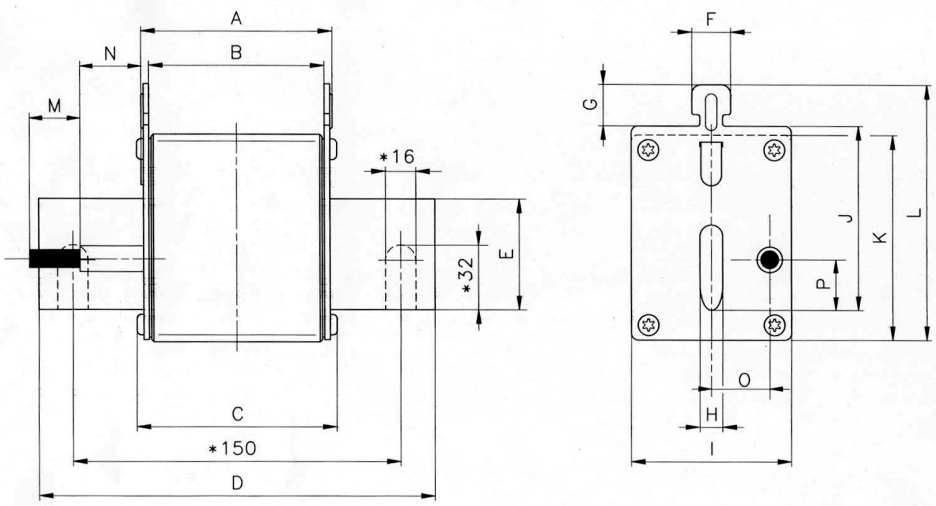
Dimensions



* Only for NH4 fuse links

	A	B	C	D	E	F	G	H	I	J	K	L
NH0	66	60,5	66,5	125	15	10	9,5	6	29	35	47	59
NH0S	66	62	66,5	125	15	10	9,5	6	39	35	47	59

Weight NH0: 250gr | NH0S: 310gr



* Only for NH4 fuse links

A	B	C	D	E	F	G	H	I	J	K	L	M	N	O	P
66	62	66,5	125	15	10	9,5	6	39	35	47	59	15	29	14,5	14

Weight 320gr



Technical data

Rated voltage	500V AC +10%
Rated current	6A...250A
Rated breaking capacity	120kA
Utilization category	gG
Rated frequency	42...62Hz
Storage temperature	-40°C ... 90°C
Operating temperature *	-40°C ... 80°C

* For ambient temperatures higher than 25°C it is necessary to apply a derating in maximum current.

Standards

IEC/EN 60269-1
IEC/EN 60269-2
RoHS Compliant



Materials

Body	Steatite C221
Contact blades	Copper or brass (silver plated)
Plates	Aluminium
Screws	Zinc plated steel

DC Application

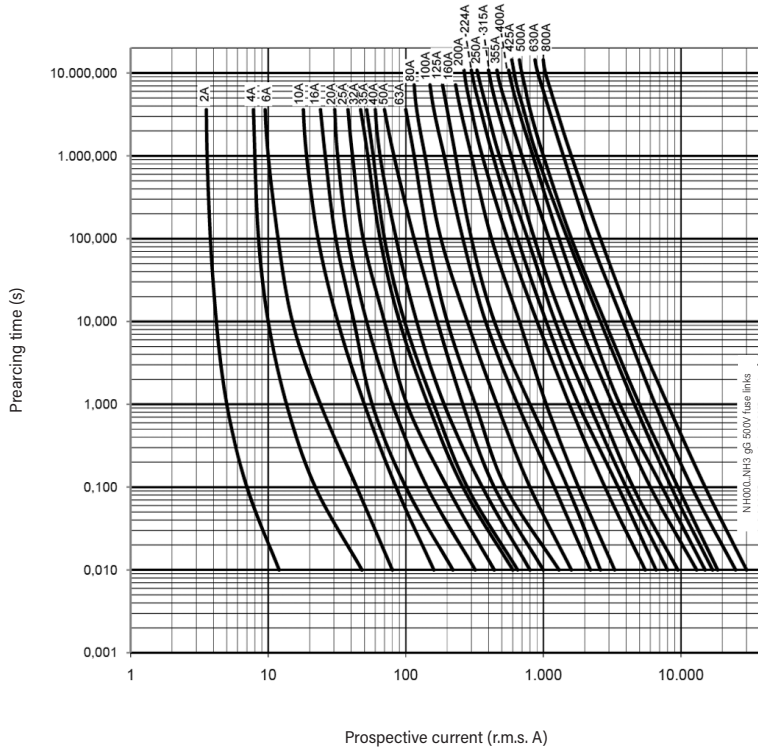
RATED CURRENT	MAX DC VOLTAGE	DC BREAKING CAPACITY
6A...160A	250V DC	80kA
200A...250A	125V DC	80kA

Power dissipation

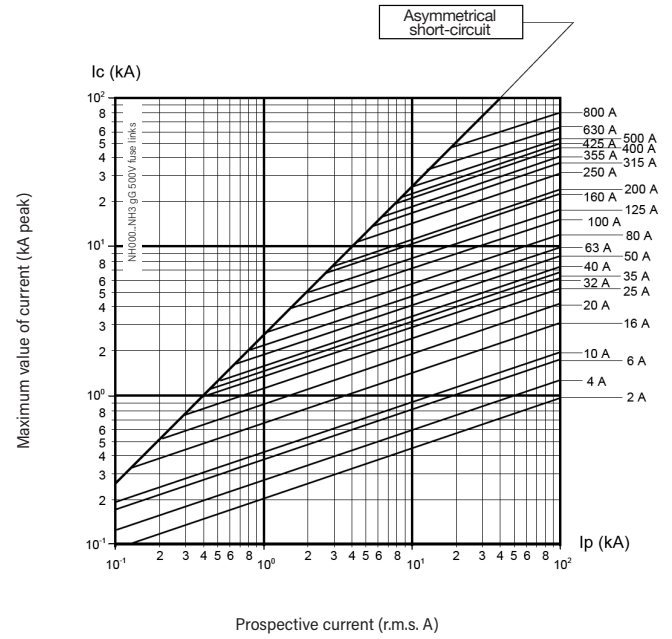
	I_n (A)	POWER DISSIPATION (W)	PREARCING I_t^2 $\approx 4 \text{ ms (A}^2\text{s)}$	TOTAL I_t^2 230V (A ² s)	TOTAL I_t^2 400V (A ² s)	TOTAL I_t^2 500V (A ² s)
NH0	6	1,3	103	145	188	218
	10	1,3	128	197	270	324
	16	2,8	290	444	607	730
	20	3,0	605	926	1267	1524
	25	3,6	1160	1774	2428	2920
	32	4,5	2779	4100	5467	6475
	35	4,8	3190	4710	6276	7433
	40	5,2	4594	6780	9037	10700
	50	6,7	5600	11075	14772	17500
	63	7,0	5700	16600	15800	22000
	80	7,2	9838	18600	29823	39350
	100	8,3	20400	38600	61962	81800
	125	10,9	40500	70900	107301	136895
160	11,7	78400	137000	207711	265000	
NH0S	200	15,5	98100	159600	228666	282540
	224	17,7	138300	225000	322455	398400
	250	20,2	169000	274700	393447	486000

* Same data for STRIKER range (32A up to 200A)

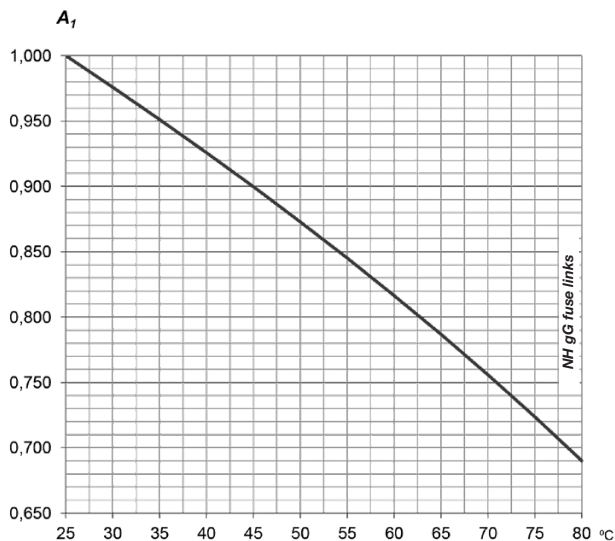
t-I characteristics



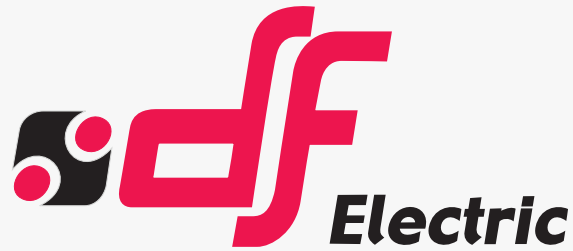
Cut-off characteristics



Ambient temperature derating factor



t_a (°C)	A_1
25	1,00
30	0,98
35	0,95
40	0,93
45	0,90
50	0,87
55	0,84
60	0,82
65	0,79
70	0,76
75	0,72
80	0,69



PROTECTING THE WORLD

HEAD OFFICE AND FACTORY

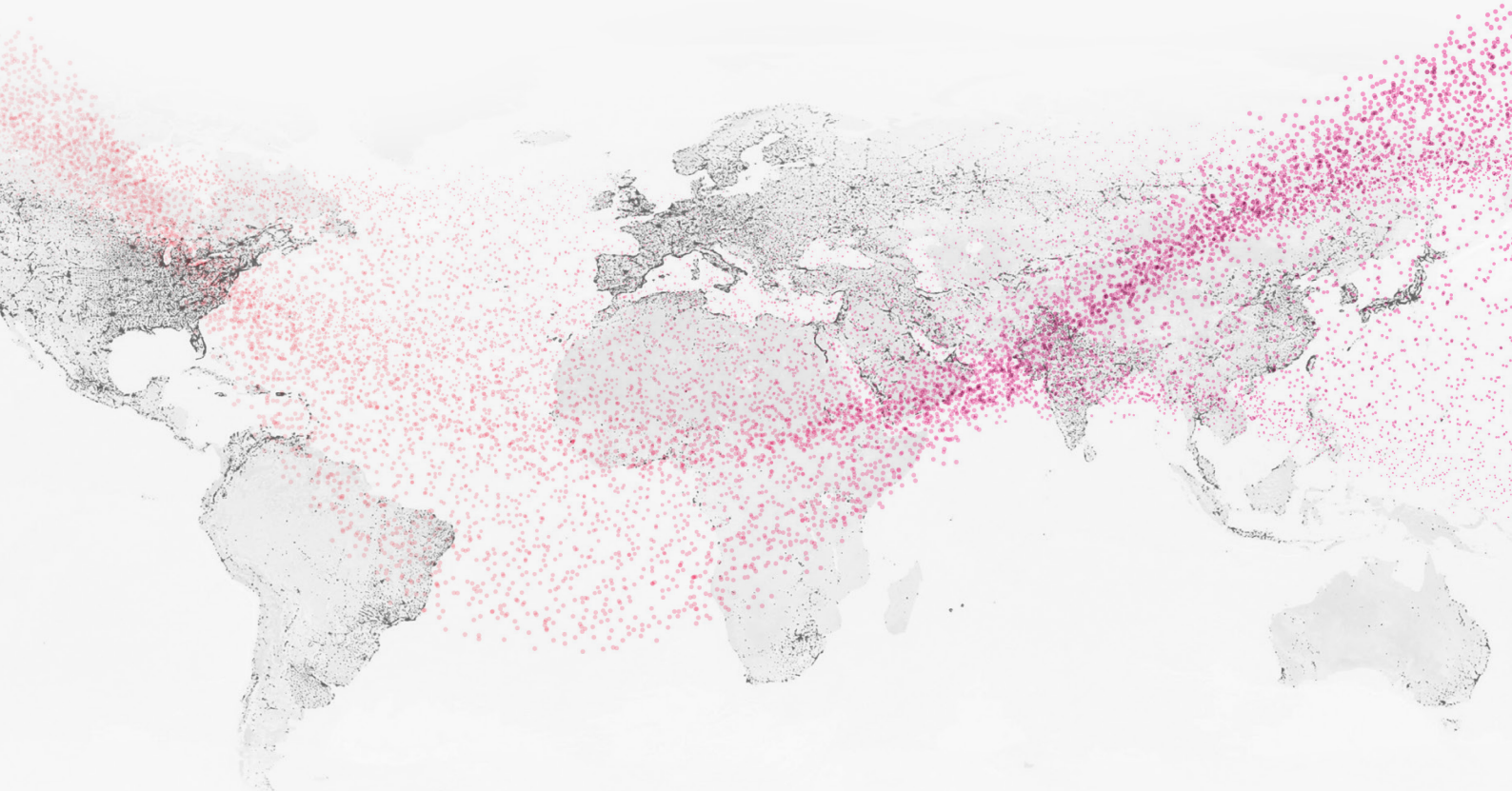
SILICI, 67-69
08940 CORNELLA DE LLOBREGAT
BARCELONA · SPAIN
Tel. +34 93 377 85 85
Fax +34 93 377 82 82

INTERNATIONAL SALES

Tel. +34 93 475 08 64
Fax +34 93 480 07 75
export@dfelectric.es

NATIONAL SALES

Tel. 93 475 08 64
Fax 93 480 07 76
comercial@dfelectric.es



dfelectric.es



According to the waste of electrical and electronic equipment directive, electrical material should not be part of the usual waste. This symbol alerts users that these products should be recycled according to local environmental waste disposal regulations.



The "electro technical expert" logo marked on the products included in this data sheet indicates that the installation of these products must be carried out by expert personnel with specialized knowledge.



To prevent electrical hazards, carry out the installation without voltage.



Safety notice
Please capture the following QR code and read our safety notice carefully before installing our products.



The data reflected in this technical record are subject to the correct installation of the product in accordance with manufacturer's instructions, relevant installation standards and professional practices, maintained and used in applications for which they were made.

The products described in this document have been designed, developed and tested in accordance with specific standard. They are considered components that are integrated as part of installation, machine or equipment. The correct general operation of the referred product is responsibility of the manufacturer of the installation, machine or equipment.

DF ELECTRIC cannot guarantee the characteristics of an installation, machine or equipment that has been designed by a third party. Once a product has been selected, the user must verify that it is appropriate for its application, through the verifications and/or tests that it deems appropriate.

DF ELECTRIC retains the right to change the dimensions, specifications, materials or design of its products at any time with or without notice.

©2020 DF Electric. All rights reserved