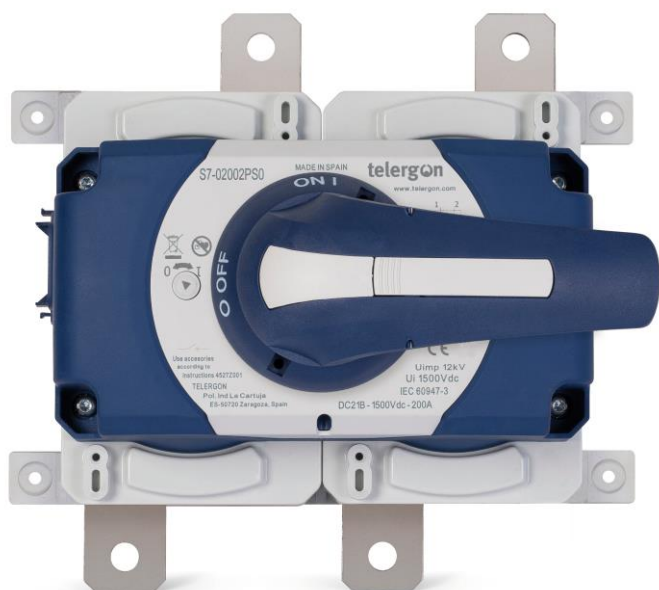


DC switch-disconnector

Model S7 – 200 A – 1500Vdc – DC-21B



Indicative picture of the series

Standards

IEC 60947-3 (DC-21B)



Quality Telergon, SAU

ISO 9001 & 14001



Electrical data (according to IEC 60947-3)

Thermal current I_{th}

200 A

Rated insulation voltage U_i

1500 V

Rated impulse withstand voltage U_{imp}

12 kV

Rated operational current

Voltage	Category of operation	I _e
1500 Vdc	DC21B	200 A

Short-circuit behaviour

Short-circuit making capacity (peak value)*	I _{cm}	10 kA
Short-time withstand current (1 sec) (rms)	I _{cw}	10 kA

Connection capacity

Busbar (mm)	1x4/30
Rigid cable (mm ²)	1x185
Tightening torque (N·m)	18

Weight

Maximum number of mechanical operations (according to standards)	1000
Maximum weight (kg)	≈2,7

Codes

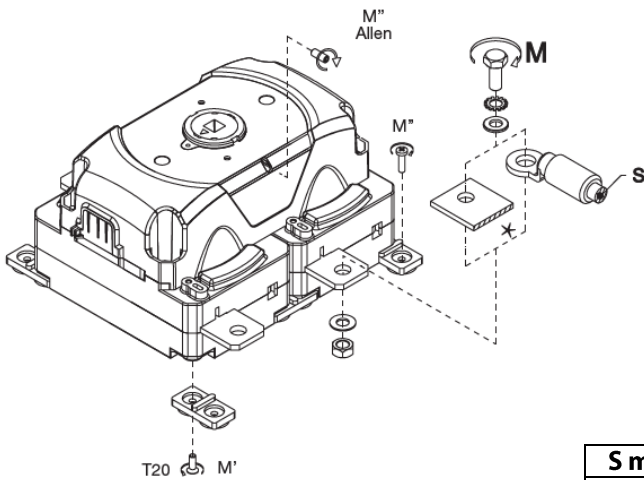
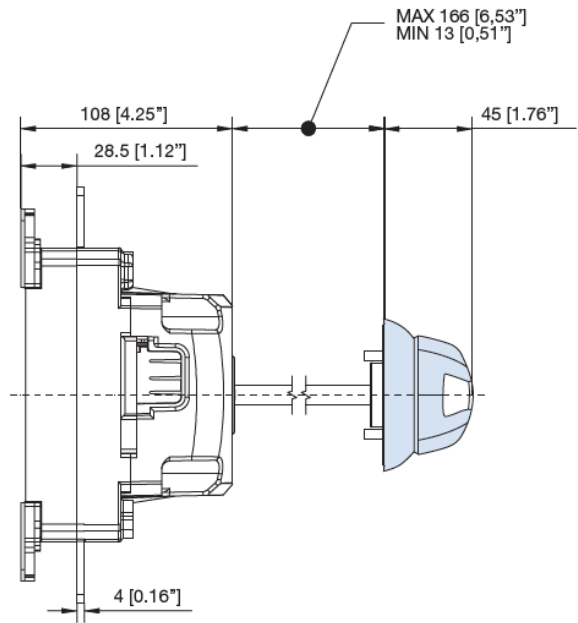
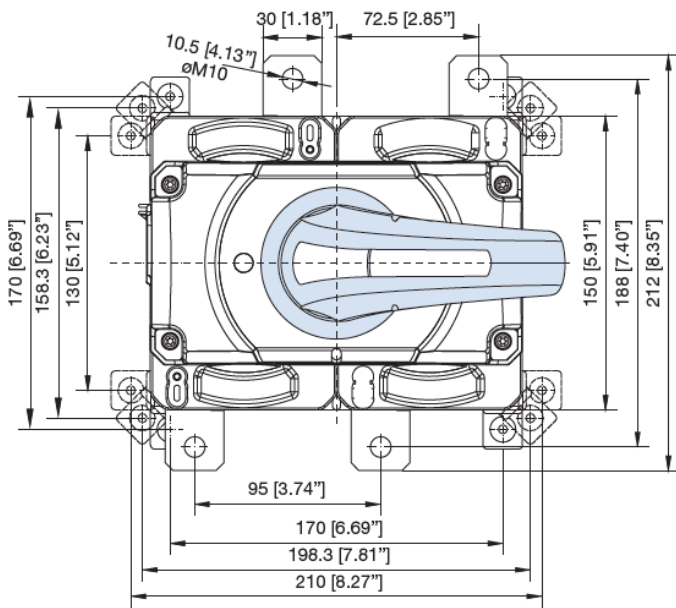
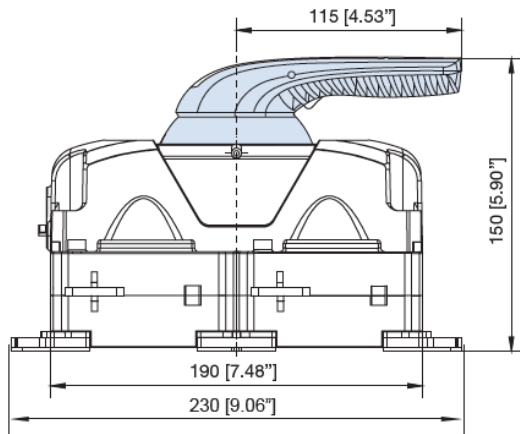
Poles	Switch code	Accessories	Codes
2	S7-02002PS0	Direct handle	DS-SI11
		External handle (with shaft included)	DS-SA11
		Auxiliary contacts 1NO+1NC	DM-AU11
		Auxiliary contacts 2NO+2NC	DM-AU12
		Captive nut	DM-PT11
		Spacer Fixing Brackets (4 units)	DM-EL11

You will find detailed information about our products on our web site www.telergon.com

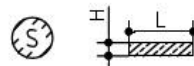
DC switch-disconnector
S7-02002PS0

TELERGON, SAU
Data subject to change without
notice (printed: 08/10/2021)

Dimensions (mm)



T	M'		M''	
	Nm	lbf in	Nm	lbf in
M4	1.2	10.6	1.5	13.3



S min (Cu)		H max (Cu)		L max (Cu)		T	M	
mm ²	AWG	mm	in	mm	in		Nm	lbf in
185	350	4	5/32	30	1-3/16	M10	18	159

You will find detailed information about our products on our web site www.telergon.com



DC switch-disconnector
S7-02002PS0

TELERGON, SAU
Data subject to change without
notice (printed: 08/10/2021)